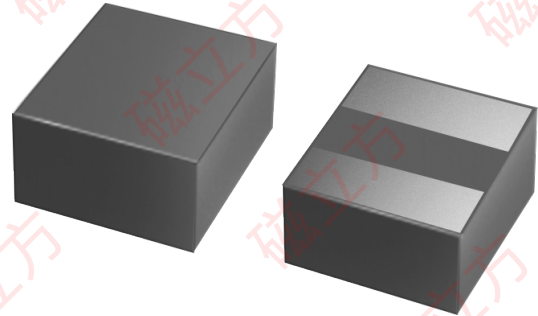


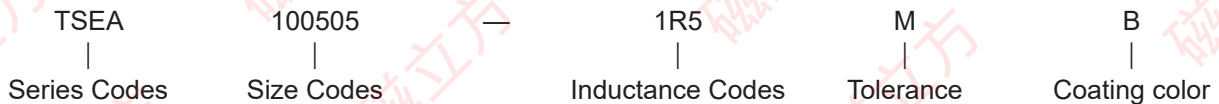
TSEA series

Product description:

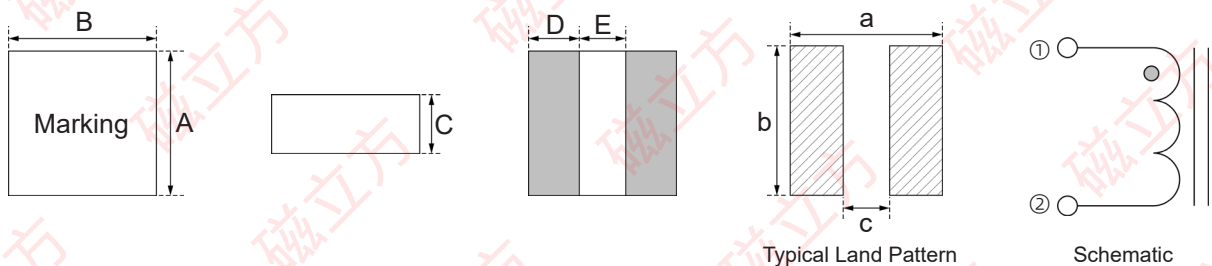
- Metal material for large current and low loss.
- High performance (Isat) realized by metal dust core.
- Low loss realized with low Rdc.
- Closed magnetic circuit design reduces leakage flux.
- Vinyl thermal spray, better surface compactness.
- 100% lead (Pb) free meet RoHS2.0 and Halogen , Reach and other legal and regulatory requirements standard.



Explanation of part numbers:



Boundary dimension:



(unit: mm)

Series	Size	A	B	C	D	E	a(Ref.)	b(Ref.)	c(Ref.)
TSEA100505	0.5±0.15	1.0±0.15	0.50Max.	0.30±0.2	0.4Typ.	1.2	0.6	0.3	
TSEA100506	0.5±0.15	1.0±0.15	0.60Max.	0.30±0.2	0.4Typ.	1.2	0.6	0.3	
TSEA100565	0.5±0.15	1.0±0.15	0.65Max.	0.30±0.2	0.4Typ.	1.2	0.6	0.3	
TSEA100765	0.7±0.1	1.0±0.1	0.65Max.	0.30±0.2	0.4Typ.	1.1	0.8	0.3	
TSEA100708	0.7±0.1	1.0±0.1	0.80Max.	0.30±0.2	0.4Typ.	1.1	0.8	0.3	
TSEA121065	1.0±0.2	1.2±0.2	0.65Max.	0.40±0.2	0.4Typ.	1.3	1.1	0.3	
TSEA160806	0.8±0.2	1.6±0.2	0.60Max.	0.50±0.2	0.6Typ.	1.7	0.9	0.5	
TSEA160865	0.8±0.2	1.6±0.2	0.65Max.	0.50±0.2	0.6Typ.	1.7	0.9	0.5	
TSEA160808	0.8±0.2	1.6±0.2	0.80Max.	0.50±0.2	0.6Typ.	1.7	0.9	0.5	
TSEA141265	1.2±0.2	1.4±0.2	0.65Max.	0.45±0.2	0.5Typ.	1.5	1.3	0.4	
TSEA141207	1.2±0.2	1.4±0.2	0.70Max.	0.45±0.2	0.5Typ.	1.5	1.3	0.4	
TSEA141208	1.2±0.2	1.4±0.2	0.80Max.	0.45±0.2	0.5Typ.	1.5	1.3	0.4	

(unit: mm)

Series	Size	A	B	C	D	E	a(Ref.)	b(Ref.)	c(Ref.)
TSEA201206	1.2±0.2	2.0±0.2	0.60Max.	0.70±0.2	0.6Typ.	2.1	1.3	0.5	
TSEA201265	1.2±0.2	2.0±0.2	0.65Max.	0.70±0.2	0.6Typ.	2.1	1.3	0.5	
TSEA201208	1.2±0.2	2.0±0.2	0.80Max.	0.70±0.2	0.6Typ.	2.1	1.3	0.5	
TSEA201210	1.2±0.2	2.0±0.2	1.00Max.	0.70±0.2	0.6Typ.	2.1	1.3	0.5	
TSEA201212	1.2±0.2	2.0±0.2	1.20Max.	0.70±0.2	0.6Typ.	2.1	1.3	0.5	
TSEA201655	1.6±0.2	2.0±0.2	0.55Max.	0.70±0.2	0.6Typ.	2.1	1.7	0.5	
TSEA201665	1.6±0.2	2.0±0.2	0.65Max.	0.70±0.2	0.6Typ.	2.1	1.7	0.5	
TSEA201607	1.6±0.2	2.0±0.2	0.70Max.	0.70±0.2	0.6Typ.	2.1	1.7	0.5	
TSEA201608	1.6±0.2	2.0±0.2	0.80Max.	0.70±0.2	0.6Typ.	2.1	1.7	0.5	
TSEA201610	1.6±0.2	2.0±0.2	1.00Max.	0.70±0.2	0.6Typ.	2.1	1.7	0.5	
TSEA201612	1.6±0.2	2.0±0.2	1.20Max.	0.70±0.2	0.6Typ.	2.1	1.7	0.5	
TSEA252055	2.0±0.2	2.5±0.2	0.55Max.	0.85±0.2	0.8Typ.	2.6	2.1	0.7	
TSEA252075	2.0±0.2	2.5±0.2	0.75Max.	0.85±0.2	0.8Typ.	2.6	2.1	0.7	
TSEA252008	2.0±0.2	2.5±0.2	0.80Max.	0.85±0.2	0.8Typ.	2.6	2.1	0.7	
TSEA252010	2.0±0.2	2.5±0.2	1.00Max.	0.85±0.2	0.8Typ.	2.6	2.1	0.7	
TSEA252012	2.0±0.2	2.5±0.2	1.20Max.	0.85±0.2	0.8Typ.	2.6	2.1	0.7	
TSEA322510	2.5±0.2	3.2±0.2	1.00Max.	1.05±0.2	1.1Typ.	3.2	2.5	1.0	
TSEA322512	2.5±0.2	3.2±0.2	1.20Max.	1.05±0.2	1.1Typ.	3.2	2.5	1.0	
TSEA322520	2.5±0.2	3.2±0.2	2.00Max.	1.05±0.2	1.1Typ.	3.2	2.5	1.0	
TSEA303010	3.0±0.1	3.0±0.1	1.00Max.	1.00±0.2	1.0Typ.	3.0	3.0	0.9	
TSEA303012	3.0±0.1	3.0±0.1	1.20Max.	1.00±0.2	1.0Typ.	3.0	3.0	0.9	
TSEA303015	3.0±0.1	3.0±0.1	1.50Max.	1.00±0.2	1.0Typ.	3.0	3.0	0.9	
TSEA303018	3.0±0.1	3.0±0.1	1.80Max.	1.00±0.2	1.0Typ.	3.0	3.0	0.9	
TSEA303020	3.0±0.1	3.0±0.1	2.00Max.	1.00±0.2	1.0Typ.	3.0	3.0	0.9	
TSEA404008	4.1±0.2	4.1±0.2	0.80Max.	1.35±0.2	1.4Typ.	4.1	4.1	1.3	
TSEA404010	4.1±0.2	4.1±0.2	1.00Max.	1.35±0.2	1.4Typ.	4.1	4.1	1.3	
TSEA404012	4.1±0.2	4.1±0.2	1.20Max.	1.35±0.2	1.4Typ.	4.1	4.1	1.3	
TSEA404015	4.1±0.2	4.1±0.2	1.50Max.	1.35±0.2	1.4Typ.	4.1	4.1	1.3	
TSEA404020	4.1±0.2	4.1±0.2	2.00Max.	1.35±0.2	1.4Typ.	4.1	4.1	1.3	
TSEA404030	4.1±0.2	4.1±0.2	3.00Max.	1.35±0.2	1.4Typ.	4.1	4.1	1.3	
TSEA404012U	4.1±0.2	4.1±0.2	1.20Max.	1.40±0.2	1.3±0.2	4.1	4.1	1.1	
TSEA404015U	4.1±0.2	4.1±0.2	1.50Max.	1.40±0.2	1.3±0.2	4.1	4.1	1.1	
TSEA404020U	4.1±0.2	4.1±0.2	2.00Max.	1.40±0.2	1.3±0.2	4.1	4.1	1.1	
TSEA404021U	4.1±0.2	4.1±0.2	2.10Max.	1.40±0.2	1.3±0.2	4.1	4.1	1.1	
TSEA404030U	4.1±0.2	4.1±0.2	3.00Max.	1.40±0.2	1.3±0.2	4.1	4.1	1.1	

(unit: mm)

Series	Size	A	B	C	D	E	a(Ref.)	b(Ref.)	c(Ref.)
TSEA505012		5.0±0.2	5.2±0.2	1.2Max.	1.60±0.2	2.0±0.2	5.5	5.3	1.6
TSEA505020		5.0±0.2	5.2±0.2	2.0Max.	1.60±0.2	2.0±0.2	5.5	5.3	1.6
TSEA505028		5.0±0.2	5.2±0.2	2.8Max.	1.60±0.2	2.0±0.2	5.5	5.3	1.6
TSEA505030		5.0±0.2	5.2±0.2	3.0Max.	1.60±0.2	2.0±0.2	5.5	5.3	1.6
TSEA505031		5.0±0.2	5.2±0.2	3.1Max.	1.60±0.2	2.0±0.2	5.5	5.3	1.6
TSEA505040		5.0±0.2	5.2±0.2	4.0Max.	1.60±0.2	2.0±0.2	5.5	5.3	1.6
TSEA606031		6.0±0.2	6.2±0.2	3.1Max.	1.80±0.2	2.6±0.2	6.5	6.3	2.0
TSEA606040		6.0±0.2	6.2±0.2	4.0Max.	1.80±0.2	2.6±0.2	6.5	6.3	2.0
TSEA606050		6.0±0.2	6.2±0.2	5.0Max.	1.80±0.2	2.6±0.2	6.5	6.3	2.0
TSEA606060		6.0±0.2	6.2±0.2	6.0Max.	1.80±0.2	2.6±0.2	6.5	6.3	2.0
TSEA707015		7.0±0.2	7.2±0.2	1.5Max.	2.30±0.2	2.6±0.2	7.5	7.3	2.4
TSEA707030		7.0±0.2	7.2±0.2	3.0Max.	2.30±0.2	2.6±0.2	7.5	7.3	2.4
TSEA707040		7.0±0.2	7.2±0.2	4.0Max.	2.30±0.2	2.6±0.2	7.5	7.3	2.4
TSEA707050		7.0±0.2	7.2±0.2	5.0Max.	2.30±0.2	2.6±0.2	7.5	7.3	2.4
TSEA101030		10.0±0.2	10.2±0.2	3.0Max.	3.30±0.2	3.6±0.2	10.5	10.3	3.2
TSEA101040		10.0±0.2	10.2±0.2	4.0Max.	3.30±0.2	3.6±0.2	10.5	10.3	3.2
TSEA101050		10.0±0.2	10.2±0.2	5.0Max.	3.30±0.2	3.6±0.2	10.5	10.3	3.2
TSEA101060		10.0±0.2	10.2±0.2	6.0Max.	3.30±0.2	3.6±0.2	10.5	10.3	3.2
TSEA121230		12.0±0.2	12.2±0.2	3.0Max.	3.8±0.2	4.6±0.2	12.5	12.3	3.6
TSEA121260		12.0±0.2	12.2±0.2	6.0Max.	3.8±0.2	4.6±0.2	12.5	12.3	3.6

Electrical characteristics:

Test condition: at 25°C 1MHz/1.0V

PART NO.	L(0A)(μH)±20%	Irms(A)	Isat(A)	DCR(mΩ)	
		Typ.	Typ.	Typ.	Max.
TSEA100505-R47MB	0.47	1.30	1.50	190.0	220.0
TSEA100506-1R0MB	1.00	1.00	1.15	280.0	320.0
TSEA100506-1R0MBD	1.00	1.00	1.15	270.0	300.0
TSEA100565-R47MB	0.47	1.70	1.85	150.0	175.0
TSEA100765-1R5MB	1.50	0.40	1.10	400.0	500.0
TSEA100765-2R6MG	2.60	0.55	1.00	750.0	900.0
TSEA100708-2R2MB	2.20	1.00	1.15	425.0	480.0
TSEA121065-2R2MB	2.20	1.00	1.30	280.0	340.0
TSEA160806-R10MG	0.10	6.50	6.50	16.5	20.0
TSEA160865-R22MG	0.22	4.00	5.00	35.0	43.0
TSEA160865-R47MG	0.47	2.30	3.30	66.0	82.0
TSEA160865-R47MGD	0.47	3.00	3.50	65.0	78.0
TSEA160865-1R0MG	1.00	1.80	2.40	180.0	200.0
TSEA160865-1R0MGD	1.00	2.20	2.20	140.0	160.0
TSEA160865-2R2MB	2.20	1.30	1.60	390.0	430.0
TSEA160808-R18MB	0.18	5.80	6.00	17.0	21.0
TSEA160808-R22MB	0.22	3.40	5.50	33.0	40.0
TSEA160808-R24MB	0.24	3.30	5.30	34.0	41.0
TSEA160808-R24MBD	0.24	3.90	4.90	22.0	26.0
TSEA160808-R24MBB	0.24	5.50	5.30	20.0	24.0
TSEA160808-R33MB	0.33	4.70	4.70	30.0	35.0
TSEA160808-R47MB	0.47	2.60	4.10	80.0	100.0
TSEA160808-R47MBD	0.47	4.20	4.00	36.0	43.0
TSEA160808-R56MB	0.56	2.20	4.00	85.0	110.0
TSEA160808-R56MBD	0.56	2.50	3.00	51.0	63.0
TSEA160808-R68MB	0.68	2.10	3.30	110.0	130.0
TSEA160808-1R0MB	1.00	2.10	3.00	180.0	200.0
TSEA160808-1R0MGD	1.00	2.10	2.30	105.0	115.0
TSEA160808-1R0MGB	1.00	2.10	2.50	105.0	115.0
TSEA160808-1R5MB	1.50	1.70	2.40	240.0	285.0
TSEA160808-2R2MG	2.20	1.40	1.50	220.0	260.0
TSEA160808-3R3MB	3.30	1.00	1.40	500.0	600.0
TSEA160808-4R7MB	4.70	1.00	1.20	585.0	700.0
TSEA160808-100MB	10.00	0.50	0.80	1450.0	1600.0

Electrical characteristics:

Test condition: at 25°C 1MHz/1.0V

PART NO.	L(0A)(μH)±20%	I _{rms} (A)		DCR(mΩ)	
		Typ.	Typ.	Typ.	Max.
TSEA141265-R10MB	0.10	6.5	7.0	13.5	16.5
TSEA141265-R15MB	0.15	5.9	6.0	16.0	19.5
TSEA141265-R24MB	0.24	6.5	5.5	23.0	27.0
TSEA141265-R33MB	0.33	4.4	4.4	26.0	32.0
TSEA141265-R33MG	0.33	4.4	4.4	26.0	32.0
TSEA141265-R47MB	0.47	3.0	3.4	37.0	45.0
TSEA141265-R47MG	0.47	3.0	3.4	37.0	45.0
TSEA141265-R47MGB	0.47	3.5	4.0	35.0	38.0
TSEA141207-R24MB	0.24	4.0	4.6	22.0	28.0
TSEA141207-R47MB	0.47	3.8	3.8	34.0	38.0
TSEA141208-R10MB	0.10	8.0	8.5	11.5	14.0
TSEA141208-R24MB	0.24	4.1	6.0	22.0	27.0
TSEA141208-R24MBD	0.24	6.6	7.2	21.0	24.0
TSEA141208-R33MB	0.33	4.0	5.3	23.0	28.0
TSEA141208-R33MG	0.33	4.0	5.3	23.0	28.0
TSEA141208-R47MB	0.47	3.8	4.6	29.0	35.0
TSEA141208-R47MG	0.47	3.8	4.6	29.0	35.0
TSEA141208-R47MBD	0.47	3.8	4.6	29.0	32.0
TSEA141208-1R0MB	1.00	3.0	3.0	65.0	77.0
TSEA141208-2R2MB	2.20	2.0	1.9	200.0	225.0
TSEA201206-R11MG	0.11	7.5	5.2	12.5	15.0
TSEA201265-R15MB	0.15	6.0	6.5	12.0	14.0
TSEA201265-R24MB	0.24	4.8	5.1	17.0	20.0
TSEA201265-R33MB	0.33	4.3	4.6	30.0	35.0
TSEA201265-R47MB	0.47	3.8	4.1	37.0	44.0
TSEA201265-R68MB	0.68	3.3	3.5	50.0	60.0
TSEA201265-1R0MB	1.00	2.6	2.8	78.0	86.0
TSEA201265-2R2MB	2.20	1.7	1.8	215.0	230.0
TSEA201265-2R2MBD	2.20	1.4	1.4	175.0	210.0
TSEA201265-2R2MBCF	2.20	1.8	1.9	175.0	200.0
TSEA201265-4R7MB	4.70	1.1	1.2	470.0	530.0
TSEA201208-R11MB	0.11	7.0	9.5	10.0	12.0
TSEA201208-R15MB	0.15	6.8	7.5	11.0	13.0
TSEA201208-R24MB	0.24	6.5	6.5	18.0	23.0
TSEA201208-R24MG	0.24	6.5	6.5	18.0	23.0
TSEA201208-R24MGB	0.24	6.5	7.0	17.0	20.0
TSEA201208-R24MBCF	0.24	7.0	7.2	16.0	18.0

Electrical characteristics:

Test condition: at 25°C 1MHz/1.0V

PART NO.	L(0A)(μ H) \pm 20%	I _{rms} (A)		DCR(m Ω)	
		Typ.	Typ.	Typ.	Max.
TSEA201208-R33MB	0.33	4.3	5.2	33.0	45.0
TSEA201208-R33MBD	0.33	5.8	6.0	20.0	24.0
TSEA201208-R47MB	0.47	3.50	5.00	34.0	50.0
TSEA201208-R47MG	0.47	3.50	5.00	34.0	50.0
TSEA201208-R47MBD	0.47	4.70	5.20	24.0	28.0
TSEA201208-R68MB	0.68	3.70	4.20	50.0	60.0
TSEA201208-1R0MB	1.00	3.30	4.00	55.0	70.0
TSEA201208-1R0MBD	1.00	3.20	3.20	48.0	55.0
TSEA201208-1R0MGD	1.00	3.20	3.20	48.0	55.0
TSEA201208-1R5MB	1.50	2.20	3.00	118.0	135.0
TSEA201208-2R2MB	2.20	2.20	2.60	160.0	185.0
TSEA201208-2R2MBB	2.20	1.80	2.20	130.0	156.0
TSEA201208-3R3MB	3.30	1.80	1.90	253.0	300.0
TSEA201208-4R7MB	4.70	1.70	1.60	285.0	325.0
TSEA201208-6R8MB	6.80	1.10	1.30	460.0	530.0
TSEA201210-R10MB	0.10	7.50	8.50	8.0	13.0
TSEA201210-R11MB	0.11	10.00	14.10	7.0	8.5
TSEA201210-R22MB	0.22	7.10	7.30	16.0	22.0
TSEA201210-R24MB	0.24	7.00	7.20	17.0	23.0
TSEA201210-R24MGD	0.24	7.00	7.20	13.0	17.0
TSEA201210-R24MGB	0.24	9.00	7.30	11.5	14.0
TSEA201210-R33MB	0.33	5.50	6.50	24.0	32.0
TSEA201210-R33MGB	0.33	5.70	6.70	14.0	16.0
TSEA201210-R47MB	0.47	4.70	5.50	29.0	36.0
TSEA201210-R47MGB	0.47	5.00	6.00	22.0	26.0
TSEA201210-R47MBD	0.47	7.00	6.00	18.0	20.0
TSEA201210-R56MB	0.56	5.30	5.20	26.0	31.0
TSEA201210-R68MB	0.68	4.30	5.00	37.0	43.0
TSEA201210-1R0MB	1.00	3.90	4.00	55.0	63.0
TSEA201210-1R0MBD	1.00	4.00	4.00	50.0	55.0
TSEA201210-1R0MBB	1.00	4.00	4.00	50.0	55.0
TSEA201210-1R5MB	1.50	3.10	3.20	76.0	85.0
TSEA201210-2R2MB	2.20	2.00	2.70	135.0	150.0
TSEA201210-2R2MBD	2.20	2.20	2.70	125.0	145.0
TSEA201210-3R3MB	3.30	1.80	2.20	210.0	260.0
TSEA201210-4R7MB	4.70	1.60	1.80	275.0	300.0
TSEA201210-6R8MB	6.80	1.50	1.45	440.0	520.0
TSEA201210-100MB	10.00	1.10	1.20	600.0	660.0
TSEA201212-R11MB	0.11	12.0	12.0	5.5	6.2
TSEA201212-R11MBD	0.11	12.0	12.0	5.0	5.8

Electrical characteristics:

Test condition: at 25°C 1MHz/1.0V

PART NO.	L(0A)(μ H) \pm 20%	I _{rms} (A)		DCR(m Ω)	
		Typ.	Typ.	Typ.	Max.
TSEA201212-R24MB	0.24	7.5	9.0	13.0	16.0
TSEA201212-R24MBD	0.24	7.7	9.0	13.0	15.0
TSEA201212-R33MB	0.33	6.3	6.5	17.0	20.5
TSEA201212-R47MB	0.47	6.0	5.5	20.0	23.5
TSEA201212-R47MBD	0.47	6.2	5.5	20.0	22.0
TSEA201212-1R0MB	1.00	3.9	4.0	40.0	48.0
TSEA201212-3R3MB	3.30	1.8	2.0	180.0	210.0
TSEA201655-R33MB	0.33	4.0	4.0	34.0	41.0
TSEA201655-R47MB	0.47	3.5	3.5	44.0	53.0
TSEA201665-R47MB	0.47	5.0	4.4	33.0	40.0
TSEA201665-R68MB	0.68	4.0	3.4	42.0	50.0
TSEA201665-1R0MB	1.00	3.5	3.0	58.0	70.0
TSEA201665-2R2MB	2.20	2.8	2.2	145.0	170.0
TSEA201607-2R2MB	2.20	2.1	2.3	150.0	175.0
TSEA201608-R22MB	0.22	6.6	6.1	14.0	19.0
TSEA201608-R24MB	0.24	6.5	6.0	14.0	20.0
TSEA201608-R33MB	0.33	5.5	5.8	18.0	24.0
TSEA201608-R47MB	0.47	5.5	5.5	24.0	27.0
TSEA201608-R47MG	0.47	5.5	5.5	24.0	27.0
TSEA201608-R68MB	0.68	3.8	4.6	39.0	44.0
TSEA201608-1R0MB	1.00	3.6	3.3	53.0	60.0
TSEA201608-1R0MGD	1.00	3.6	3.8	45.0	52.0
TSEA201608-1R5MB	1.50	3.1	3.0	73.0	85.0
TSEA201608-2R2MB	2.20	2.3	2.4	150.0	180.0
TSEA201608-2R2MB	2.20	2.2	2.5	123.0	140.0
TSEA201608-3R3MB	3.30	1.8	2.1	200.0	220.0
TSEA201608-4R7MB	4.70	1.6	1.7	260.0	290.0
TSEA201608-4R7MB	4.70	1.4	1.5	270.0	325.0
TSEA201608-6R8MB	6.80	1.4	1.4	360.0	405.0
TSEA201608-100MB	10.00	1.0	0.9	800.0	900.0
TSEA201608-100MB	10.00	1.0	1.0	690.0	800.0
TSEA201610-R10MB	0.10	8.5	9.0	7.0	12.0
TSEA201610-R11MB	0.11	8.0	8.9	7.5	13.0
TSEA201610-R15MB	0.15	7.6	8.7	8.0	14.0
TSEA201610-R22MB	0.22	6.9	8.2	11.0	18.0
TSEA201610-R22MBD	0.22	6.9	8.2	11.0	13.0
TSEA201610-R24MB	0.24	6.8	8.0	12.0	19.0

Electrical characteristics:

Test condition: at 25°C 1MHz/1.0V

PART NO.	L(0A)(μ H) \pm 20%	I _{rms} (A)		DCR(m Ω)	
		Typ.	Typ.	Typ.	Max.
TSEA201610-R24MBD	0.24	6.8	8.0	11.0	14.0
TSEA201610-R24MBCF	0.24	8.0	7.5	7.5	9.0
TSEA201610-R33MB	0.33	5.7	7.0	17.0	22.0
TSEA201610-R33MG	0.33	5.7	7.0	17.0	22.0
TSEA201610-R33MBB	0.33	6.7	6.5	11.0	13.0
TSEA201610-R33MBCF	0.33	5.7	7.5	17.0	22.0
TSEA201610-R47MB	0.47	5.5	6.3	22.0	25.0
TSEA201610-R47MBB	0.47	5.8	6.5	22.0	25.0
TSEA201610-R47MG	0.47	5.5	6.3	22.0	25.0
TSEA201610-R47MGD	0.47	6.0	6.2	18.0	22.0
TSEA201610-R47MBCF	0.47	6.5	7.0	19.0	23.0
TSEA201610-R47MBCE	0.47	6.5	5.5	14.0	17.0
TSEA201610-R56MB	0.56	7.5	5.5	19.0	23.0
TSEA201610-R68MB	0.68	4.6	5.2	25.0	32.0
TSEA201610-R68MBB	0.68	5.5	5.7	25.0	32.0
TSEA201610-1R0MB	1.00	4.5	4.6	35.0	43.0
TSEA201610-1R0MG	1.00	4.5	4.6	35.0	43.0
TSEA201610-1R0MBD	1.00	4.6	4.7	31.0	36.0
TSEA201610-1R0MGD	1.00	4.6	4.7	31.0	36.0
TSEA201610-1R0MBB	1.00	4.0	4.9	42.0	46.0
TSEA201610-1R5MB	1.50	2.6	3.2	80.0	100.0
TSEA201610-1R5MBD	1.50	4.0	3.3	60.0	70.0
TSEA201610-2R2MB	2.20	2.5	3.0	120.0	130.0
TSEA201610-2R2MG	2.20	2.5	3.0	120.0	130.0
TSEA201610-2R2MGD	2.20	2.5	3.0	105.0	115.0
TSEA201610-2R2MBB	2.20	3.3	3.0	72.0	81.0
TSEA201610-2R2MB	2.20	2.5	3.3	115.0	125.0
TSEA201610-3R3MB	3.30	1.7	2.3	140.0	170.0
TSEA201610-4R7MB	4.70	1.6	1.9	250.0	276.0
TSEA201610-4R7MB	4.70	1.6	2.0	190.0	220.0
TSEA201610-4R7MG	4.70	1.6	2.0	190.0	220.0
TSEA201610-6R8MB	6.80	1.7	1.7	320.0	350.0
TSEA201610-100MB	10.00	1.0	1.4	483.0	580.0
TSEA201610-150MB	15.00	0.9	1.1	800.0	960.0
TSEA201612-R10MB	0.10	12.0	13.0	4.0	6.0
TSEA201612-R11MB	0.11	15.5	12.5	4.8	5.6
TSEA201612-R11MBB	0.11	13.0	15.0	6.3	7.5
TSEA201612-R15MB	0.15	10.0	12.0	7.5	10.0
TSEA201612-R22MB	0.22	9.3	9.7	8.5	10.5
TSEA201612-R24MB	0.24	9.1	9.2	9.0	11.0
TSEA201612-R24MBB	0.24	11.0	10.5	10.0	12.5

Electrical characteristics:

Test condition: at 25°C 1MHz/1.0V

PART NO.	L(0A)(μ H) \pm 20%	I _{rms} (A)		DCR(m Ω)	
		Typ.	Typ.	Typ.	Max.
TSEA201612-R33MB	0.33	7.7	7.8	10.0	15.0
TSEA201612-R47MB	0.47	6.7	6.7	13.0	17.0
TSEA201612-R68MB	0.68	6.0	6.0	19.0	23.0
TSEA201612-1R0MB	1.00	5.0	5.0	30.0	36.0
TSEA201612-1R5MB	1.50	4.0	4.0	40.0	50.0
TSEA201612-2R2MB	2.20	3.3	3.1	77.0	90.0
TSEA201612-3R3MB	3.30	2.4	2.7	135.0	165.0
TSEA201612-3R3MBD	3.30	2.6	2.7	115.0	130.0
TSEA201612-4R7MB	4.70	2.0	2.2	160.0	185.0
TSEA201612-6R8MB	6.80	1.8	1.9	255.0	300.0
TSEA252055-R22MB	0.22	6.5	4.8	23.0	28.0
TSEA252055-R47MB	0.47	5.5	3.5	42.0	49.0
TSEA252075-2R2MG	2.20	2.3	2.6	78.0	90.0
TSEA252075-100MG	10.00	1.1	1.1	487.0	530.0
TSEA252008-R47MB	0.47	6.5	6.0	22.0	27.0
TSEA252008-R68MB	0.68	4.9	5.0	27.0	32.0
TSEA252008-1R0MB	1.00	4.3	4.5	34.0	40.0
TSEA252008-1R5MB	1.50	3.4	3.5	64.0	75.0
TSEA252008-2R2MB	2.20	3.0	3.0	69.0	77.0
TSEA252008-3R3MB	3.30	2.5	2.5	150.0	180.0
TSEA252008-4R7MB	4.70	2.0	1.9	180.0	215.0
TSEA252008-100MB	10.00	1.4	1.1	500.0	600.0
TSEA252008-100MBD	10.00	1.4	1.3	490.0	540.0
TSEA252010-R10MB	0.10	12.0	13.5	6.5	8.5
TSEA252010-R15MB	0.15	9.5	10.5	7.0	9.0
TSEA252010-R22MB	0.22	6.8	8.6	12.0	17.0
TSEA252010-R22MG	0.22	6.8	8.6	12.0	17.0
TSEA252010-R24MB	0.24	6.7	8.5	12.0	17.5
TSEA252010-R24MBD	0.24	8.5	9.0	8.5	10.0
TSEA252010-R33MB	0.33	6.5	7.6	13.0	19.0
TSEA252010-R33MG	0.33	6.5	7.6	13.0	19.0
TSEA252010-R47MB	0.47	6.1	7.2	15.0	22.0
TSEA252010-R47MG	0.47	6.1	7.2	15.0	22.0
TSEA252010-R47MBD	0.47	6.5	6.6	13.0	15.0
TSEA252010-R68MB	0.68	5.6	5.9	23.0	27.0
TSEA252010-R82MB	0.82	4.5	5.3	25.0	29.0
TSEA252010-1R0MB	1.00	4.7	5.4	25.0	30.0
TSEA252010-1R0MG	1.00	4.7	5.4	25.0	30.0

Electrical characteristics:

Test condition: at 25°C 1MHz/1.0V

PART NO.	L(0A)(μ H) \pm 20%	Irms(A)	Isat(A)	DCR(m Ω)	
		Typ.	Typ.	Typ.	Max.
TSEA252010-1R0MBD	1.00	4.9	5.0	25.0	28.0
TSEA252010-1R5MB	1.50	3.4	4.3	45.0	55.0
TSEA252010-1R5MG	1.50	3.4	4.3	45.0	55.0
TSEA252010-1R8MB	1.80	4.0	4.0	50.0	60.0
TSEA252010-2R2MB	2.20	2.4	3.3	62.0	70.0
TSEA252010-2R2MG	2.20	2.4	3.3	62.0	70.0
TSEA252010-2R2MBB	2.20	2.6	3.7	62.0	70.0
TSEA252010-2R2MBD	2.20	4.0	3.4	62.0	70.0
TSEA252010-3R3MB	3.30	2.5	2.8	86.0	100.0
TSEA252010-3R3MG	3.30	2.5	2.8	86.0	100.0
TSEA252010-4R7MB	4.70	2.0	2.6	160.0	180.0
TSEA252010-4R7MG	4.70	2.0	2.6	160.0	180.0
TSEA252010-4R7MBD	4.70	2.0	2.6	145.0	160.0
TSEA252010-4R7MBB	4.70	3.0	2.2	120.0	130.0
TSEA252010-6R8MB	6.80	1.6	2.4	270.0	320.0
TSEA252010-100MB	10.00	1.1	1.6	500.0	560.0
TSEA252010-100MG	10.00	1.1	1.6	500.0	560.0
TSEA252010-220MG	22.00	0.9	1.1	1100.0	1300.0
TSEA252012-R10MB	0.10	12.0	13.5	6.0	10.0
TSEA252012-R10MBD	0.10	16.0	15.0	4.0	4.8
TSEA252012-R11MB	0.11	15.0	14.0	4.2	5.0
TSEA252012-R15MB	0.15	11.5	13.0	7.0	11.0
TSEA252012-R22MB	0.22	8.2	9.6	9.0	14.0
TSEA252012-R22MBD	0.22	11.0	12.0	8.0	10.0
TSEA252012-R24MB	0.24	8.0	9.3	10.0	15.0
TSEA252012-R24MG	0.24	8.0	9.3	10.0	15.0
TSEA252012-R24MBD	0.24	9.5	10.0	6.5	8.5
TSEA252012-R33MB	0.33	6.8	8.3	11.0	17.0
TSEA252012-R33MBD	0.33	9.0	9.0	10.0	12.0
TSEA252012-R33MBCF	0.33	9.0	9.0	7.5	9.5
TSEA252012-R47MB	0.47	6.5	7.5	13.0	19.0
TSEA252012-R47MBD	0.47	8.0	8.5	11.0	13.0
TSEA252012-R47MGD	0.47	8.0	8.5	11.0	13.0
TSEA252012-R68MB	0.68	6.3	6.5	17.0	23.0
TSEA252012-R68MBD	0.68	7.5	6.7	15.0	18.0
TSEA252012-R82MB	0.82	5.8	6.5	19.0	24.0
TSEA252012-R82MBD	0.82	6.3	6.5	19.0	23.0
TSEA252012-1R0MB	1.00	5.3	5.6	35.0	42.0
TSEA252012-1R0MBD	1.00	6.1	6.5	16.0	22.0
TSEA252012-1R0MGD	1.00	6.1	6.5	16.0	22.0
TSEA252012-1R0MBCF	1.00	5.5	5.6	30.0	36.0

Electrical characteristics:

Test condition: at 25°C 1MHz/1.0V

PART NO.	L(0A)(μ H) \pm 20%	Irms(A)	Isat(A)	DCR(m Ω)	
		Typ.	Typ.	Typ.	Max.
TSEA252012-1R2MB	1.20	3.8	4.5	40.0	45.0
TSEA252012-1R2MBD	1.20	5.7	5.3	29.0	35.0
TSEA252012-1R5MB	1.50	3.7	4.5	44.0	50.0
TSEA252012-1R5MBB	1.50	4.6	5.2	46.0	53.0
TSEA252012-1R5MG	1.50	3.7	4.5	44.0	50.0
TSEA252012-1R5MBCF	1.50	4.5	4.5	31.0	35.0
TSEA252012-1R5MBD	1.50	4.6	4.7	27.0	32.0
TSEA252012-2R2MB	2.20	3.0	3.8	55.0	65.0
TSEA252012-2R2MBD	2.20	3.9	4.1	52.0	60.0
TSEA252012-2R2MG	2.20	3.0	3.8	55.0	65.0
TSEA252012-3R3MB	3.30	2.8	3.0	80.0	97.0
TSEA252012-4R7MB	4.70	2.2	2.4	150.0	170.0
TSEA252012-4R7MG	4.70	2.2	2.4	150.0	170.0
TSEA252012-4R7MBB	4.70	2.4	2.7	150.0	170.0
TSEA252012-6R8MB	6.80	1.8	2.0	245.0	270.0
TSEA252012-6R8MBB	6.80	2.1	2.2	245.0	270.0
TSEA252012-100MB	10.00	1.2	1.6	330.0	400.0
TSEA252012-100MG	10.00	1.2	1.6	330.0	400.0
TSEA252012-150MB	15.00	1.4	1.4	500.0	565.0
TSEA252012-220MB	22.00	1.2	1.1	740.0	800.0
TSEA322510-R22MB	0.22	8.5	8.5	9.0	11.0
TSEA322510-R33MB	0.33	8.3	8.3	11.0	15.0
TSEA322510-R47MB	0.47	6.4	8.3	17.0	22.0
TSEA322510-R68MB	0.68	6.2	7.5	22.0	28.0
TSEA322510-1R0MB	1.00	5.4	6.0	25.0	30.0
TSEA322510-1R0MBD	1.00	5.5	5.6	21.0	25.0
TSEA322510-1R5MB	1.50	4.0	5.0	34.0	42.0
TSEA322510-2R2MB	2.20	3.7	4.0	55.0	66.0
TSEA322510-3R3MB	3.30	2.7	3.7	105.0	120.0
TSEA322510-4R7MB	4.70	2.3	2.8	125.0	140.0
TSEA322510-6R8MB	6.80	1.9	2.4	290.0	320.0
TSEA322510-100MB	10.00	2.2	2.2	325.0	365.0
TSEA322512-R10MB	0.10	12.0	18.0	5.2	7.0
TSEA322512-R11MB	0.11	13.0	17.0	4.5	6.0
TSEA322512-R11MBB	0.11	12.0	18.5	5.5	7.0
TSEA322512-R22MB	0.22	9.2	11.5	6.6	10.0
TSEA322512-R22MG	0.22	9.2	11.5	6.6	10.0
TSEA322512-R22MBD	0.22	11.0	12.0	6.2	8.0
TSEA322512-R24MB	0.24	9.0	11.0	7.0	12.0
TSEA322512-R33MB	0.33	8.4	10.0	9.0	14.0

Electrical characteristics:

Test condition: at 25°C 1MHz/1.0V

PART NO.	L(0A)(μ H) \pm 20%	I _{rms} (A)		DCR(m Ω)	
		Typ.	Typ.	Typ.	Max.
TSEA322512-R47MB	0.47	7.5	8.6	14.0	19.0
TSEA322512-R47MG	0.47	7.5	8.6	14.0	19.0
TSEA322512-R47MBD	0.47	7.5	8.6	11.0	14.0
TSEA322512-R47MBB	0.47	8.5	8.5	10.0	11.0
TSEA322512-R56MB	0.56	8.0	8.4	15.0	19.0
TSEA322512-R68MB	0.68	7.3	8.1	18.0	23.0
TSEA322512-R68MBD	0.68	7.0	8.0	12.0	15.0
TSEA322512-1R0MB	1.00	5.3	6.6	26.0	30.0
TSEA322512-1R0MG	1.00	5.3	6.6	26.0	30.0
TSEA322512-1R0MBD	1.00	6.5	7.7	18.0	21.0
TSEA322512-1R0MBB	1.00	6.0	8.3	26.0	32.0
TSEA322512-1R2MB	1.20	5.7	5.9	26.0	32.0
TSEA322512-1R5MB	1.50	4.7	5.1	37.0	44.0
TSEA322512-2R2MB	2.20	3.6	4.6	58.0	70.0
TSEA322512-2R2MBD	2.20	4.2	5.0	42.0	50.0
TSEA322512-2R2MGD	2.20	4.2	5.0	42.0	50.0
TSEA322512-3R3MB	3.30	2.9	3.7	75.0	95.0
TSEA322512-3R3MG	3.30	2.9	3.7	75.0	95.0
TSEA322512-3R3MGD	3.30	2.9	3.7	62.0	67.0
TSEA322512-4R7MB	4.70	3.0	2.9	115.0	135.0
TSEA322512-4R7MBCF	4.70	3.0	3.0	105.0	120.0
TSEA322512-4R7MBB	4.70	3.0	3.2	115.0	135.0
TSEA322512-4R7MBD	4.70	3.0	3.0	105.0	115.0
TSEA322512-6R8MB	6.80	2.1	2.8	177.0	210.0
TSEA322512-100MB	10.00	2.2	2.3	210.0	230.0
TSEA322520-70NMB	0.07	22.0	25.0	2.5	3.2
TSEA322520-R27MB	0.27	16.0	16.0	5.5	6.5
TSEA322520-R33MB	0.33	9.5	15.5	7.5	9.0
TSEA322520-R47MB	0.47	9.5	15.0	9.0	10.5
TSEA322520-R68MB	0.68	9.0	13.0	12.5	14.5
TSEA322520-1R0MB	1.00	8.2	9.0	15.0	17.5
TSEA322520-1R0MBB	1.00	8.5	10.5	15.0	17.5
TSEA322520-1R5MB	1.50	6.5	6.8	22.0	25.0
TSEA322520-2R2MB	2.20	5.4	6.5	36.0	43.0
TSEA322520-2R2MBD	2.20	5.4	6.5	33.0	40.0
TSEA322520-3R3MB	3.30	4.5	4.5	55.0	60.0
TSEA322520-4R7MB	4.70	3.5	4.0	81.0	94.0
TSEA322520-6R8MB	6.80	2.8	3.8	101.0	125.0
TSEA322520-150MB	15.00	2.0	2.2	220.0	260.0
TSEA322520-220MB	22.00	1.8	2.0	315.0	364.0

Electrical characteristics:

Test condition: at 25°C 1MHz/1.0V

PART NO.	L(0A)(μH)±20%	Irms(A)	Isat(A)	DCR(mΩ)	
		Typ.	Typ.	Typ.	Max.
TSEA303010-1R0MB	1.00	7.0	5.3	30.0	35.0
TSEA303010-1R0MBD	1.00	7.0	6.0	25.0	30.0
TSEA303010-2R2MB	2.20	5.0	4.0	55.0	66.0
TSEA303010-3R3MB	3.30	3.4	3.1	86.0	102.0
TSEA303010-4R7MB	4.70	3.2	2.7	120.0	140.0
TSEA303010-6R8MB	6.80	2.1	1.8	225.0	270.0
TSEA303010-100MB	10.00	2.0	1.6	320.0	360.0
TSEA303010-100MBD	10.00	2.2	1.8	250.0	275.0
TSEA303012-R10MB	0.10	18.0	20.0	5.0	6.0
TSEA303012-R33MB	0.33	10.0	11.0	8.5	10.5
TSEA303012-R47MB	0.47	11.0	8.5	9.0	11.0
TSEA303012-R68MB	0.68	7.5	7.0	14.0	16.0
TSEA303012-1R0MB	1.00	5.5	6.0	23.0	27.0
TSEA303012-1R5MB	1.50	6.0	5.5	29.0	34.0
TSEA303012-2R2MB	2.20	4.8	5.0	42.0	50.0
TSEA303012-2R2MBB	2.20	4.0	6.1	63.0	75.0
TSEA303012-4R7MB	4.70	3.0	3.0	100.0	120.0
TSEA303012-100MB	10.00	2.3	2.3	192.0	220.0
TSEA303012-150MB	15.00	1.6	1.9	345.0	380.0
TSEA303015-R15MB	0.15	12.0	16.0	5.0	6.0
TSEA303015-R20MB	0.20	13.0	16.0	4.8	5.9
TSEA303015-R33MB	0.33	14.0	12.0	6.5	8.5
TSEA303015-R47MB	0.47	9.0	10.0	9.0	11.0
TSEA303015-1R0MB	1.00	6.0	7.0	18.0	22.0
TSEA303015-1R5MB	1.50	8.0	6.0	22.0	26.0
TSEA303015-2R2MB	2.20	4.5	5.0	42.0	50.0
TSEA303015-4R7MB	4.70	3.5	4.0	87.0	104.0
TSEA303015-6R8MB	6.80	2.5	3.5	160.0	180.0
TSEA303015-100MB	10.00	2.0	2.8	185.0	215.0
TSEA303015-220MB	22.00	1.2	1.6	580.0	700.0
TSEA303018-R22MB	0.22	10.0	17.0	5.5	7.0
TSEA303018-R47MB	0.47	9.0	12.0	8.0	10.0
TSEA303018-R68MB	0.68	10.0	11.0	12.0	14.5
TSEA303018-1R0MB	1.00	6.3	7.6	15.0	21.0
TSEA303018-1R5MB	1.50	6.8	8.0	20.0	26.0
TSEA303018-4R7MB	4.70	3.4	4.7	72.0	87.0
TSEA303020-R10MB	0.10	17.0	25.0	3.3	4.5
TSEA303020-R15MB	0.15	13.0	18.0	4.0	5.0

Electrical characteristics:

Test condition: at 25°C 1MHz/1.0V

PART NO.	L(0A)(μ H) \pm 20%	I _{rms} (A)		DCR(m Ω)	
		Typ.	Typ.	Typ.	Max.
TSEA303020-R22MB	0.22	11.0	17.5	5.0	6.5
TSEA303020-R33MB	0.33	10.0	17.0	7.5	9.0
TSEA303020-R36MB	0.36	10.0	16.5	7.5	9.0
TSEA303020-R47MB	0.47	9.0	15.0	8.0	11.0
TSEA303020-R50MB	0.50	9.0	15.0	9.0	12.0
TSEA303020-R50MBD	0.50	12.5	13.5	7.0	8.3
TSEA303020-R68MB	0.68	8.5	13.0	13.0	16.0
TSEA303020-1R0MB	1.00	6.5	8.0	14.0	20.0
TSEA303020-1R2MB	1.20	7.0	7.5	16.0	21.0
TSEA303020-1R5MB	1.50	6.3	7.0	19.0	25.0
TSEA303020-2R2MB	2.20	4.7	6.0	37.0	45.0
TSEA303020-3R3MB	3.30	4.5	5.9	52.0	63.0
TSEA303020-4R7MB	4.70	4.2	4.8	60.0	73.0
TSEA303020-6R8MB	6.80	3.2	4.5	107.0	135.0
TSEA303020-100MB	10.00	2.5	3.8	135.0	160.0
TSEA303020-150MB	15.00	1.8	2.6	235.0	260.0
TSEA404008-100MB	10.00	1.8	1.9	400.0	455.0
TSEA404008-100MBD	10.00	1.8	1.9	364.0	428.0
TSEA404010-1R0MB	1.00	7.0	5.3	22.0	26.0
TSEA404010-4R7MB	4.70	3.4	3.8	120.0	140.0
TSEA404010-100MB	10.00	2.5	2.2	220.0	280.0
TSEA404012-R22MB	0.22	14.0	15.0	6.5	7.5
TSEA404012-R47MB	0.47	9.0	12.0	11.5	14.0
TSEA404012-R47MBD	0.47	12.0	11.0	7.5	8.5
TSEA404012-R60MB	0.60	8.5	9.0	12.0	14.5
TSEA404012-R68MB	0.68	8.5	10.0	15.0	18.0
TSEA404012-1R0MB	1.00	6.3	11.0	21.0	25.0
TSEA404012-1R0MBD	1.00	6.2	9.0	20.0	23.0
TSEA404012-1R5MB	1.50	6.0	8.0	29.0	34.5
TSEA404012-2R2MB	2.20	5.0	6.5	45.0	55.0
TSEA404012-3R3MB	3.30	4.5	5.5	67.0	80.0
TSEA404012-4R7MB	4.70	3.5	5.0	90.0	110.0
TSEA404012-5R6MB	5.60	3.0	4.5	116.0	140.0
TSEA404012-6R8MB	6.80	2.8	3.8	132.0	160.0
TSEA404012-100MB	10.00	2.5	2.8	200.0	235.0
TSEA404015-R10MG	0.10	19.0	16.0	1.8	2.2
TSEA404015-R47MB	0.47	13.0	13.0	5.8	7.0
TSEA404015-1R0MB	1.00	11.0	9.0	12.5	15.0

Electrical characteristics:

Test condition: at 25°C 1MHz/1.0V

PART NO.	L(0A)(μ H) \pm 20%	Irms(A)	Isat(A)	DCR(m Ω)	
		Typ.	Typ.	Typ.	Max.
TSEA404015-4R7MB	4.70	5.0	5.5	53.0	63.0
TSEA404015-5R6MB	5.60	4.5	4.8	66.0	80.0
TSEA404020-R10MB	0.10	34.0	35.0	1.20	1.60
TSEA404020-R12MB	0.12	34.0	31.0	1.30	1.70
TSEA404020-R15MB-TE	0.15	28.5	28.0	1.80	2.20
TSEA404020-R22MB	0.22	20.0	20.0	2.00	2.70
TSEA404020-R33MB	0.33	9.5	18.0	5.0	6.0
TSEA404020-R33MBD	0.33	18.0	18.0	3.20	3.85
TSEA404020-R33MBB	0.33	23.0	19.0	2.80	3.30
TSEA404020-R47MG	0.47	8.5	16.0	7.0	8.5
TSEA404020-R47MBB	0.47	17.0	15.2	4.00	4.80
TSEA404020-R47MBD	0.47	17.0	15.0	4.10	4.90
TSEA404020-R56MB	0.56	18.5	14.0	4.70	5.60
TSEA404020-R68MB	0.68	14.0	13.0	5.50	6.20
TSEA404020-R82MB	0.82	13.0	12.0	6.80	8.00
TSEA404020-1R0MG	1.00	6.5	12.5	12.0	14.5
TSEA404020-1R0MBD	1.00	12.5	10.0	7.50	9.00
TSEA404020-1R2MB	1.20	10.0	10.0	10.50	12.00
TSEA404020-1R5MG	1.50	6.0	10.5	18.0	22.0
TSEA404020-2R2MG	2.20	5.5	9.5	30.0	36.0
TSEA404020-3R3MG	3.30	6.3	8.0	35.0	40.0
TSEA404020-4R7MG	4.70	5.0	6.3	47.0	58.0
TSEA404020-6R8MG	6.80	3.7	5.4	90.0	105.0
TSEA404020-100MG	10.00	3.4	4.9	113.0	135.0
TSEA404020-150MG	15.00	2.3	3.5	210.0	250.0
TSEA404020-220MG	22.00	1.8	2.9	275.0	330.0
TSEA404021-1R0MB	1.00	12.5	11.5	7.50	8.50
TSEA404030-R33MB	0.33	16.0	25.0	4.5	6.0
TSEA404030-R47MB	0.47	15.0	23.0	5.5	7.0
TSEA404030-R56MB	0.56	15.0	22.0	6.0	7.5
TSEA404030-R68MB	0.68	9.5	17.0	8.3	10.0
TSEA404030-1R0MG	1.00	10.0	15.5	10.0	12.0
TSEA404030-1R5MG	1.50	6.5	12.5	15.0	18.0
TSEA404030-2R2MG	2.20	9.0	10.5	19.0	22.0
TSEA404030-2R2MGB	2.20	9.2	11.0	22.0	25.0
TSEA404030-3R3MG	3.30	5.3	8.5	30.0	35.0
TSEA404030-4R7MB	4.70	6.6	5.8	27.00	32.40
TSEA404030-4R7MG	4.70	4.3	7.0	41.0	46.0
TSEA404030-4R7MBD	4.70	6.0	7.8	36.0	42.0

Electrical characteristics:

Test condition: at 25°C 1MHz/1.0V

PART NO.	L(0A)(μH)±20%	Irms(A)	Isat(A)	DCR(mΩ)	
		Typ.	Typ.	Typ.	Max.
TSEA404030-5R6MB	5.60	5.5	7.0	41.0	48.0
TSEA404030-6R8MB	6.80	4.2	6.3	51.0	62.0
TSEA404030-8R2MB	8.20	3.9	5.2	90.0	102.0
TSEA404030-100MB	10.00	3.7	4.9	92.0	110.0
TSEA404030-220MB	22.00	2.5	3.4	190.0	220.0
TSEA404012U-R22MB	0.22	14.0	15.0	6.50	7.50
TSEA404012U-R47MBD	0.47	12.0	11.0	7.50	8.50
TSEA404015U-R10MG	0.10	29.0	30.0	1.80	2.20
TSEA404015U-R47MB	0.47	13.0	13.0	5.80	7.00
TSEA404015U-1R0MB	1.00	11.0	9.0	12.50	15.00
TSEA404020U-R10MB	0.10	34.0	35.0	1.20	1.60
TSEA404020U-R12MB	0.12	34.0	31.0	1.30	1.70
TSEA404020U-R15MB-TE	0.15	28.5	28.0	1.80	2.20
TSEA404020U-R22MB	0.22	20.0	20.0	2.00	2.70
TSEA404020U-R33MBD	0.33	18.0	18.0	3.20	3.85
TSEA404020U-R33MBB	0.33	23.0	19.0	2.80	3.30
TSEA404020U-R47MBB	0.47	17.0	15.2	4.00	4.80
TSEA404020U-R47MBD	0.47	17.0	15.0	4.10	4.90
TSEA404020U-R56MB	0.56	18.5	14.0	4.70	5.60
TSEA404020U-R68MB	0.68	14.0	13.0	5.50	6.20
TSEA404020U-R82MB	0.82	13.0	12.0	6.80	8.00
TSEA404020U-1R0MBD	1.00	12.5	10.0	7.50	9.00
TSEA404020U-1R2MB	1.20	10.0	10.0	10.50	12.00
TSEA404020U-3R3MB	3.30	8.0	5.6	24.00	28.00
TSEA404021U-1R0MB	1.00	12.5	11.5	7.50	8.50
TSEA404030U-4R7MB	4.70	6.6	5.8	27.00	32.40
TSEA505012-1R0MG	1.00	8.5	9.5	16.00	18.00
TSEA505020-1R0MG	1.00	14.0	16.0	7.00	8.40
TSEA505020-1R5MG	1.50	13.0	12.0	13.00	17.00
TSEA505020-2R2MG	2.20	7.0	9.5	24.00	29.00
TSEA505028-1R5MG	1.50	12.0	14.0	9.00	11.20
TSEA505028-3R3MG	3.30	6.5	5.7	25.00	30.00

Electrical characteristics:

Test condition: at 25°C 1MHz/1.0V

PART NO.	L(0A)(μH)±20%	Irms(A)	Isat(A)	DCR(mΩ)	
		Typ.	Typ.	Typ.	Max.
TSEA505030-R15MG	0.15	25.0	43.0	1.05	1.45
TSEA505030-R16MG	0.16	24.0	42.0	1.10	1.50
TSEA505030-R30MG	0.30	22.0	29.0	1.50	1.80
TSEA505030-R33MG	0.33	21.0	28.0	1.60	2.00
TSEA505030-R47MG	0.47	21.0	26.0	2.50	3.00
TSEA505030-R68MG	0.68	19.0	21.0	3.80	4.60
TSEA505030-1R0MG	1.00	12.2	19.0	6.00	7.60
TSEA505030-1R2MG	1.20	13.0	15.0	5.20	6.00
TSEA505030-3R3MG	3.30	7.3	7.2	24.00	27.00
TSEA505030-6R8MG	6.80	6.0	8.0	37.00	40.00
TSEA505031-1R5MG	1.50	14.0	11.0	9.80	11.00
TSEA505040-4R7MG	4.70	7.0	8.5	32.00	36.00
TSEA505040-6R8MG	6.80	7.0	9.0	40.00	44.00
TSEA606031-2R2MG	2.20	12.0	14.0	9.00	10.00
TSEA606040-R15MG	0.15	35.0	65.0	1.12	1.32
TSEA606040-1R0MG	1.00	16.0	20.0	4.50	5.80
TSEA606040-4R7MG	4.70	9.5	10.5	15.00	18.00
TSEA606050-1R5MG	1.50	18.0	21.0	5.00	6.30
TSEA606060-150MG	15.00	6.0	5.8	38.00	43.50
TSEA606060-220MG	22.00	5.0	5.6	52.00	60.00
TSEA707015-2R2MG	1.50	5.5	6.8	30.00	36.00
TSEA707030-R47MG	0.47	28.0	33.0	2.60	3.20
TSEA707030-R68MB	0.68	24.0	28.0	3.30	4.00
TSEA707030-1R5MG	1.50	15.0	22.0	6.90	8.30
TSEA707030-2R2MG	2.20	13.0	21.0	11.00	13.00
TSEA707040-4R7MB	4.70	9.0	14.5	14.00	16.50
TSEA707050-220MB	22.00	5.0	7.5	55.00	60.50
TSEA707060-4R7MG	4.70	13.0	18.0	12.00	14.50

Electrical characteristics:

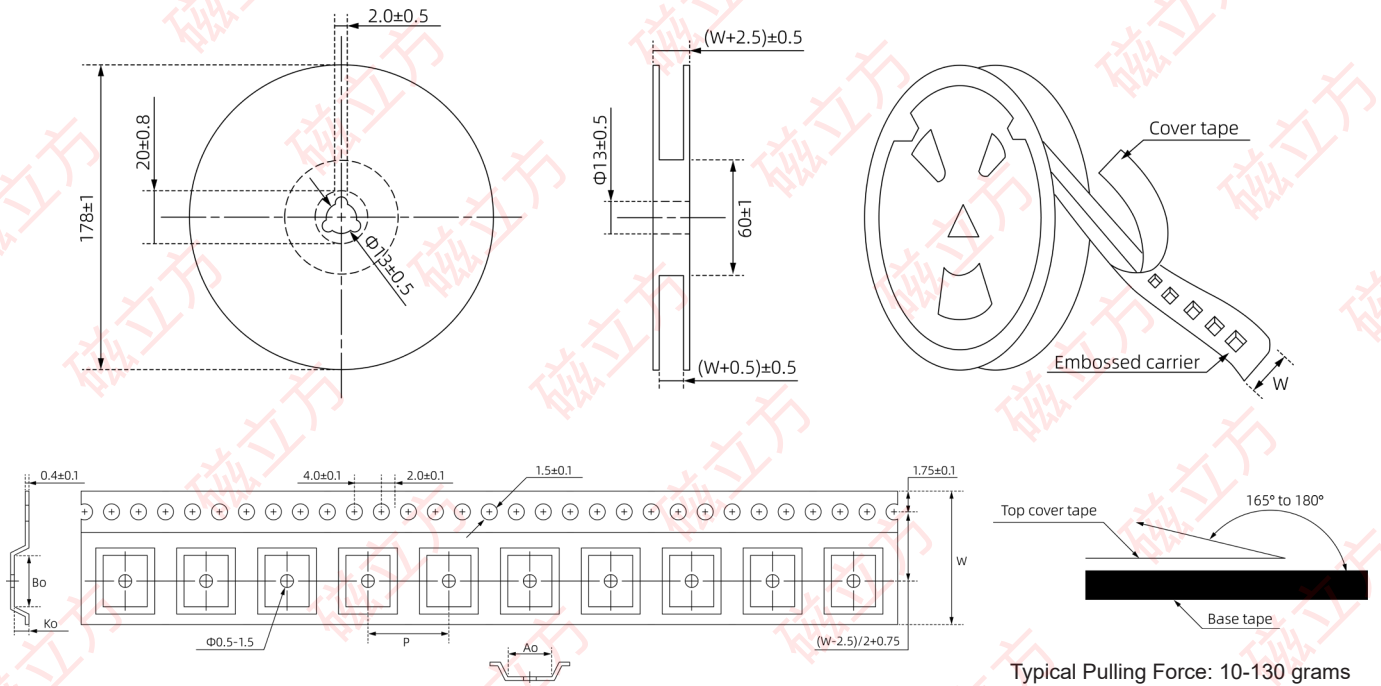
Test condition: at 25°C 1MHz/1.0V

PART NO.	L(0A)(μ H) \pm 20%	Irms(A)	Isat(A)	DCR(m Ω)	
		Typ.	Typ.	Typ.	Max.
TSEA101030-3R3MG	3.30	16.0	16.0	10.00	12.00
TSEA101030-4R7MG	4.70	13.0	14.0	15.00	18.00
TSEA101030-6R8MG	6.80	11.0	11.0	21.00	25.00
TSEA101030-100MG	10.00	8.0	10.0	33.00	38.00
TSEA101040-R47MG	0.47	32.0	42.0	0.80	1.30
TSEA101040-1R0MG	1.00	26.0	32.0	2.20	3.00
TSEA101040-2R2MG	2.20	17.0	25.0	4.70	6.00
TSEA101040-3R3MG	3.30	16.0	21.0	6.50	7.80
TSEA101040-4R7MG	4.70	14.0	19.0	10.50	12.50
TSEA101040-6R8MG	6.80	12.0	15.0	13.50	16.00
TSEA101050-1R0MB	1.00	28.0	34.0	1.50	2.20
TSEA101050-3R3MG	3.30	18.0	24.0	5.00	6.50
TSEA101050-4R7MG	4.70	16.0	21.0	6.00	8.00
TSEA101050-100MB	10.00	12.0	11.0	17.00	20.00
TSEA101060-100MB	10.00	14.0	20.0	14.00	15.00
TSEA121230-1R0MG	1.00	28.0	35.0	2.40	3.00
TSEA121230-1R5MG	1.50	24.0	32.0	3.80	4.20
TSEA121230-2R2MG	2.20	20.0	28.0	5.00	5.50

NOTE:

- All test data is referenced to 25°C ambient.
- I_{rms}: DC current(A) that will cause an approximate Δ T of 40°C.
- I_{sat}: DC current(A) that will cause L_o to drop approximate 30%.
- Operating temperature range: -55°C to 125°C.
- The part temperature(ambient and temp rise) should not exceed 125°C under worse case operating conditions. Circuit design, component placement, PWB trace size and thickness, airflow and other cooling provision all affect the part temperature. Part temperature should be verified in the end application.

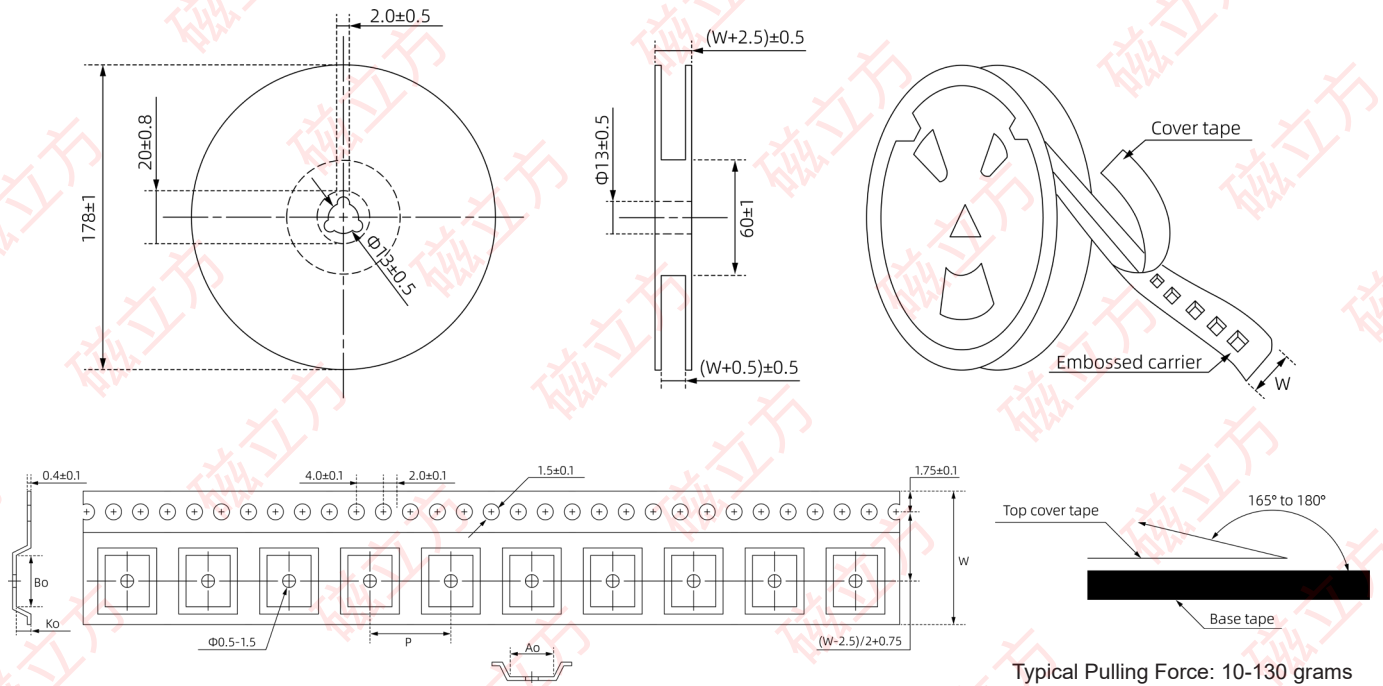
Packing Information:



(unit: mm)

Series	QTY (Pcs/Reel)	Ao(Ref.)	Bo(Ref.)	Ko(Ref.)	W(Ref.)	P(Ref.)	Reel diameter (Ref.)
TSEA100505	5000	0.7±0.1	1.2±0.1	0.7±0.1	8	4	178
TSEA100506	5000	0.7±0.1	1.2±0.1	0.8±0.1	8	4	178
TSEA100565	5000	0.7±0.1	1.2±0.1	0.85±0.1	8	4	178
TSEA100765	5000	0.9±0.1	1.2±0.1	0.85±0.1	8	4	178
TSEA100708	5000	0.9±0.1	1.2±0.1	1.0±0.1	8	4	178
TSEA121065	3000	1.2±0.1	1.4±0.1	0.85±0.1	8	4	178
TSEA160806	3000	1.0±0.1	1.8±0.1	0.8±0.1	8	4	178
TSEA160865	3000	1.0±0.1	1.8±0.1	0.85±0.1	8	4	178
TSEA160808	3000	1.0±0.1	1.8±0.1	1.0±0.1	8	4	178
TSEA141265	3000	1.4±0.1	1.6±0.1	0.85±0.1	8	4	178
TSEA141207	3000	1.4±0.1	1.6±0.1	0.9±0.1	8	4	178
TSEA141208	3000	1.4±0.1	1.6±0.1	1.0±0.1	8	4	178
TSEA201206	3000	1.4±0.1	2.2±0.1	0.8±0.1	8	4	178
TSEA201265	3000	1.4±0.1	2.2±0.1	0.85±0.1	8	4	178
TSEA201208	3000	1.4±0.1	2.2±0.1	1.0±0.1	8	4	178
TSEA201210	3000	1.4±0.1	2.2±0.1	1.2±0.1	8	4	178
TSEA201212	3000	1.4±0.1	2.2±0.1	1.4±0.1	8	4	178
TSEA201655	3000	1.8±0.1	2.2±0.1	0.75±0.1	8	4	178
TSEA201665	3000	1.8±0.1	2.2±0.1	0.85±0.1	8	4	178
TSEA201607	3000	1.8±0.1	2.2±0.1	0.9±0.1	8	4	178

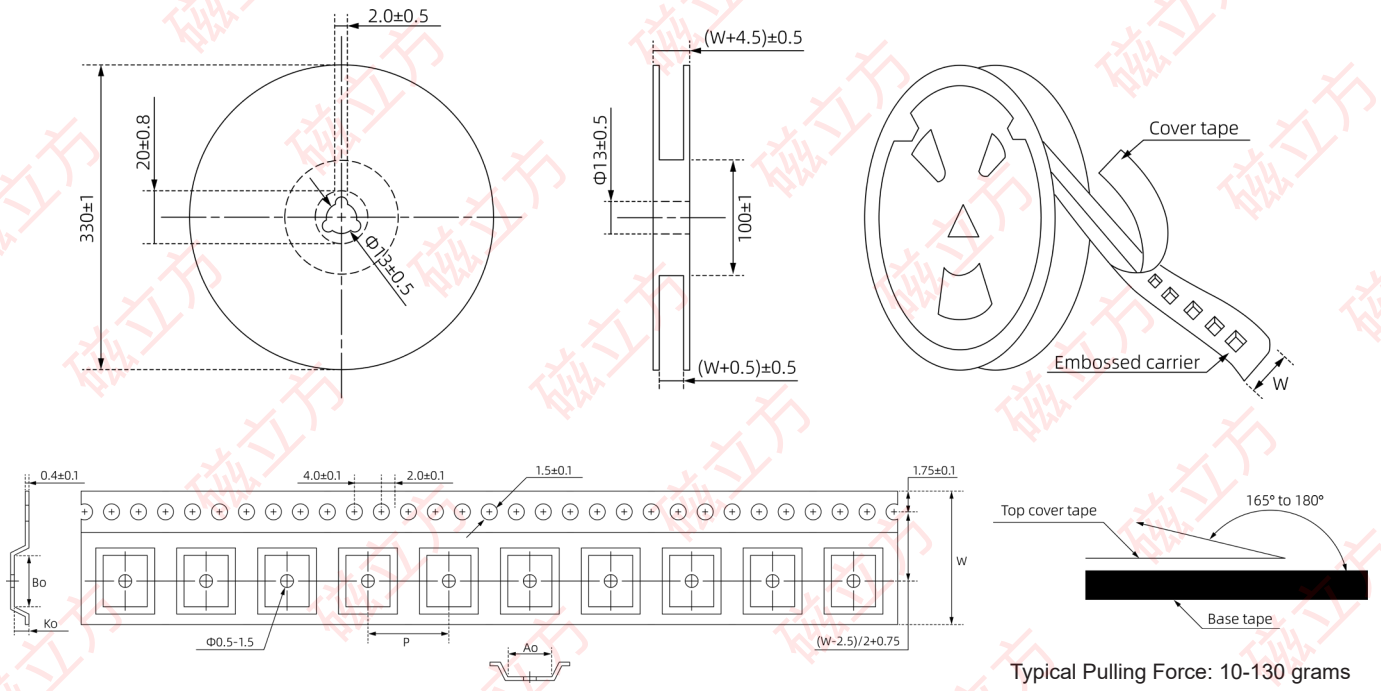
Packing Information:



(unit: mm)

Series	QTY (Pcs/Reel)	Ao(Ref.)	Bo(Ref.)	Ko(Ref.)	W(Ref.)	P(Ref.)	Reel diameter (Ref.)
TSEA201608	3000	1.8±0.1	2.2±0.1	1.0±0.1	8	4	178
TSEA201610	3000	1.8±0.1	2.2±0.1	1.2±0.1	8	4	178
TSEA201610	3000	1.8±0.1	2.2±0.1	1.2±0.1	8	4	178
TSEA201612	3000	1.8±0.1	2.2±0.1	1.4±0.1	8	4	178
TSEA252055	3000	2.2±0.1	2.7±0.1	0.75±0.1	8	4	178
TSEA252075	3000	2.2±0.1	2.7±0.1	0.95±0.1	8	4	178
TSEA252008	3000	2.2±0.1	2.7±0.1	1.0±0.1	8	4	178
TSEA252010	3000	2.2±0.1	2.7±0.1	1.2±0.1	8	4	178
TSEA252012	3000	2.2±0.1	2.7±0.1	1.4±0.1	8	4	178
TSEA322510	3000	2.7±0.1	3.4±0.1	1.2±0.1	8	4	178
TSEA322512	3000	2.7±0.1	3.4±0.1	1.4±0.1	8	4	178
TSEA322520	2000	2.7±0.1	3.4±0.1	2.2±0.1	8	4	178

Packing Information:

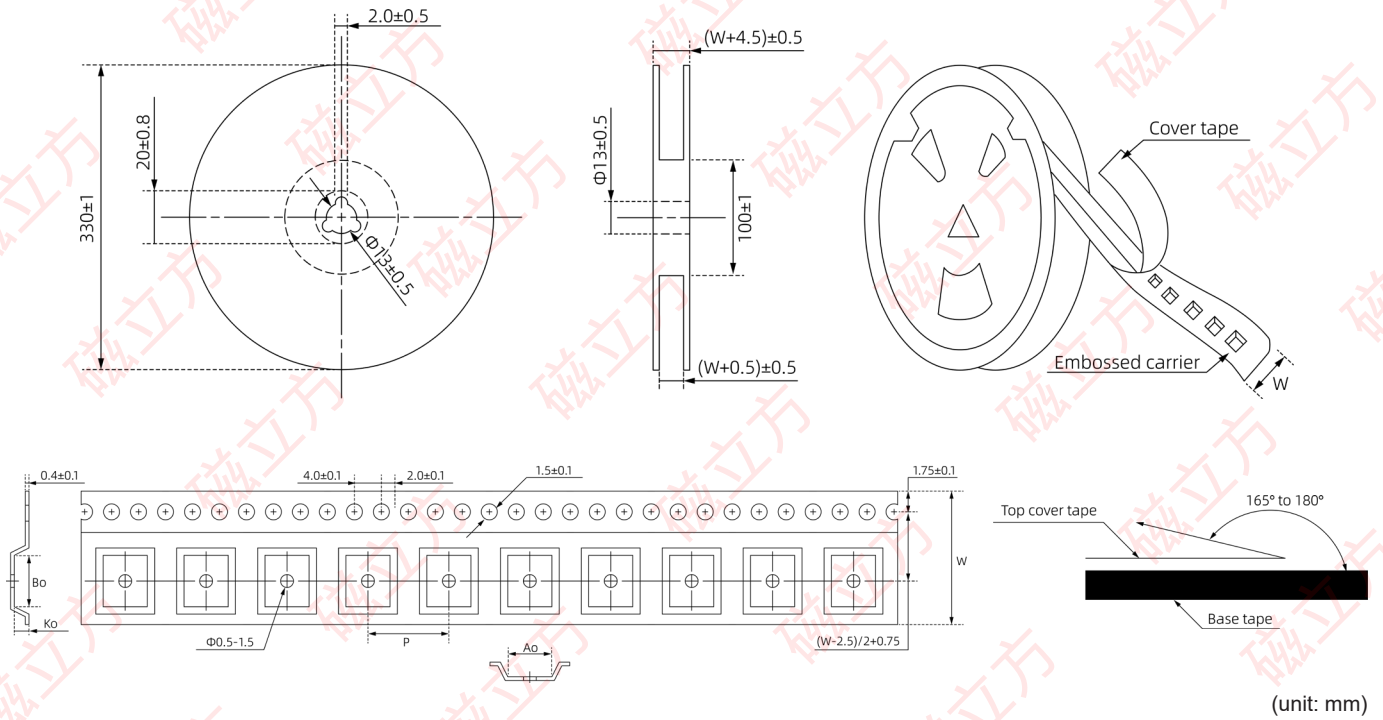


Typical Pulling Force: 10-130 grams

(unit: mm)

Series	QTY (Pcs/Reel)	Ao(Ref.)	Bo(Ref.)	Ko(Ref.)	W(Ref.)	P(Ref.)	Reel diameter (Ref.)
TSEA303010	3000	3.2±0.1	3.2±0.1	1.2±0.1	12	8	330
TSEA303012	3000	3.2±0.1	3.2±0.1	1.4±0.1	12	8	330
TSEA303015	3000	3.2±0.1	3.2±0.1	1.7±0.1	12	8	330
TSEA303018	3000	3.2±0.1	3.2±0.1	2.0±0.1	12	8	330
TSEA303020	3000	3.2±0.1	3.2±0.1	2.2±0.1	12	8	330
TSEA404008	3000	4.3±0.1	4.3±0.1	1.0±0.1	12	8	330
TSEA404010	3000	4.3±0.1	4.3±0.1	1.2±0.1	12	8	330
TSEA404012	3000	4.3±0.1	4.3±0.1	1.4±0.1	12	8	330
TSEA404015	3000	4.3±0.1	4.3±0.1	1.7±0.1	12	8	330
TSEA404020	3000	4.3±0.1	4.3±0.1	2.2±0.1	12	8	330
TSEA404030	2000	4.3±0.1	4.3±0.1	3.2±0.1	12	8	330
TSEA404012U	3000	4.3±0.1	4.3±0.1	1.4±0.1	12	8	330
TSEA404015U	3000	4.3±0.1	4.3±0.1	1.7±0.1	12	8	330
TSEA404020U	3000	4.3±0.1	4.3±0.1	2.2±0.1	12	8	330
TSEA404021U	3000	4.3±0.1	4.3±0.1	2.3±0.1	12	8	330
TSEA404030U	2000	4.3±0.1	4.3±0.1	3.2±0.1	12	8	330
TSEA505012	3000	5.2±0.1	5.4±0.1	1.4±0.1	12	8	330
TSEA505020	2000	5.2±0.1	5.4±0.1	2.2±0.1	12	8	330

Packing Information:



(unit: mm)

Series	QTY (Pcs/Reel)	Ao(Ref.)	Bo(Ref.)	Ko(Ref.)	W(Ref.)	P(Ref.)	Reel diameter (Ref.)
TSEA505028	2000	5.2±0.1	5.4±0.1	3.0±0.1	12	8	330
TSEA505030	2000	5.2±0.1	5.4±0.1	3.2±0.1	12	8	330
TSEA505031	2000	5.2±0.1	5.4±0.1	3.3±0.1	12	8	330
TSEA505040	1500	5.2±0.1	5.4±0.1	4.2±0.1	12	8	330
TSEA606031	1500	6.2±0.1	6.4±0.1	3.3±0.1	16	12	330
TSEA606040	1000	6.2±0.1	6.4±0.1	4.2±0.1	16	12	330
TSEA606050	800	6.2±0.1	6.4±0.1	5.2±0.1	16	12	330
TSEA606060	600	6.2±0.1	6.4±0.1	6.2±0.1	16	12	330
TSEA707015	2000	7.2±0.1	7.4±0.1	1.7±0.1	16	12	330
TSEA707030	1000	7.2±0.1	7.4±0.1	3.2±0.1	16	12	330
TSEA707040	1000	7.2±0.1	7.4±0.1	4.2±0.1	16	12	330
TSEA707050	1000	7.2±0.1	7.4±0.1	5.2±0.1	16	12	330
TSEA101030	500	10.2±0.1	10.4±0.1	3.2±0.1	24	16	330
TSEA101040	500	10.2±0.1	10.4±0.1	4.2±0.1	24	16	330
TSEA101050	500	10.2±0.1	10.4±0.1	5.2±0.1	24	16	330
TSEA101060	500	10.2±0.1	10.4±0.1	6.2±0.1	24	16	330
TSEA121230	500	12.2±0.1	12.4±0.1	3.2±0.1	24	16	330
TSEA121260	500	12.2±0.1	12.4±0.1	6.2±0.1	24	16	330